

SAMSUNG



LED SPOT LIGHT ENGINE

: SLE





w/ lens

Application

- Spot light, Track light, Accent light
- Shop, Department, Museum, Retail etc

Benefits

- Compact design – Built in Beam Angle (w/ lens)
- High lumen density
- No hot-spot with Samsung optic design – Better Uniformity
- Dedicated Customer design-in support for fast & reliable fixture making
- Future proof owing to platform design

Features

- ✓ High Performance
 - Luminous Output - 1280lm
 - Efficacy - 64lm/W(w/ lens)
 - 2 types lens - 25°, 40° (possible to support other angles)
- ✓ High Quality
 - CRI(Ra) : Min(80), Typ.(83)
 - Color Temp. : 3000K, 4000K, 5000K
 - SDCM < 4
- ✓ Lighting Control
 - Dimming : 0 to 10
- ✓ High Reliability Power Driver
 - External Power Supply - 20W
 - Input voltage - 100~277 V
- ✓ Certification : CE, KC
 - (all major certifications will be obtained, to be updated)

Technical Specifications



Items	unit	Products	
Ordering Code	-	STIDEW830200102AAA	STIDEW830200104AAA
System Lumen Flux (w/ lens)*	lm	1280	1280
Power Consumption[max]*	W	20	20
System Efficacy (w/ lens)*	lm/W	64	64
CCT	K	3000, (4000, 5000**)	
CRI	Ra	>80	
Beam Angle	°	25	40
Initial SDCM	step	<3.5	
Tc max	°C	80	80

*@3000K, Tolerance ±5%

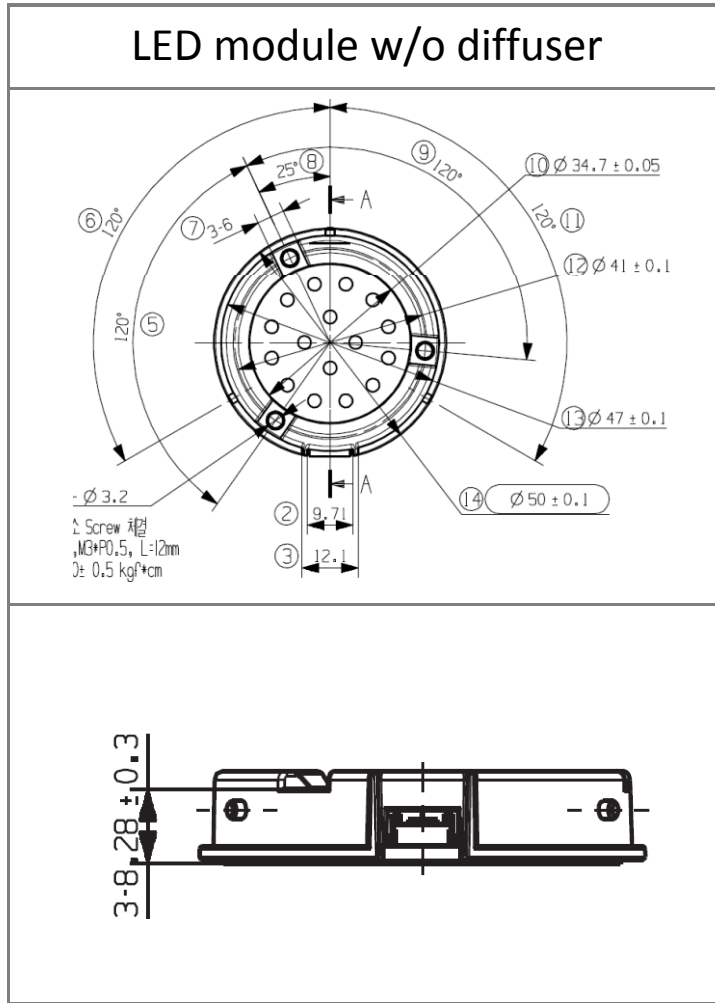
**Upon request

All values are with driver

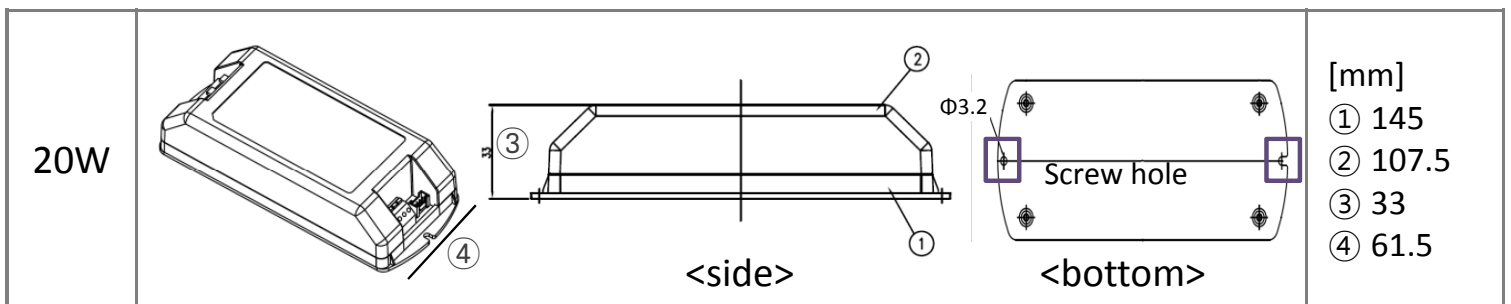
Driver Specifications

Item	unit	20W	Comment
Dimension	mm	33(h) X 60(w) X 145(l)	
Input Vol.	V	100~277	
Output V / A / ch	-	24V/0.7A/1ch	Voltage : +/- 10% Current : +/- 5%
Operating Temp.	°C	-40~+50	
Efficiency	%	> 85	
PF	-	> 0.9	
THD	%	< 25	
Standby Power	W	< 1W	
Dimming	Method	0 to 10V	Auxiliary 12Vdc Output Included
	Range	10~100%	
Certification		CE, KC	

LED module



Driver



Harness Cable



-Wire : 28AWG / 300V / 80°C
-Length : 400mm

© 2011 Samsung-LED. All rights reserved.

Samsung-LED may make changes to specifications and product descriptions at any time, without notice.

Released Date : May, 6th, 2011